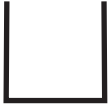


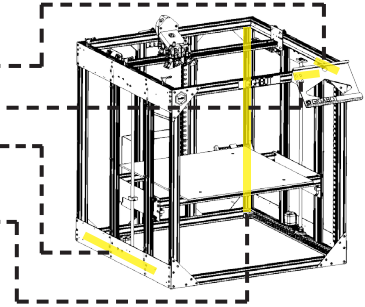
Please use the following table to determine where Panduits belong on your Gigabot®

GIGABOT 3+

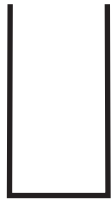
SIZE #1 (0.5" X 0.5") :



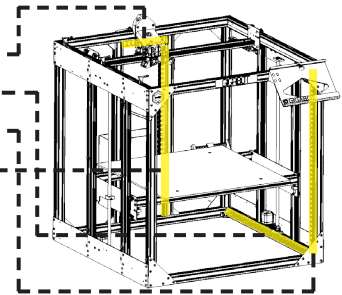
- #1 x 2.75" - Upper Z limit switch
- #1 x 5.25" - LED light strip
- #1 x 24.0" - Lower left Z motor & lower limit switch
- #1 x 30.0" - Rear right corner vertical common rail



SIZE #2 (0.5" X 1.0") :



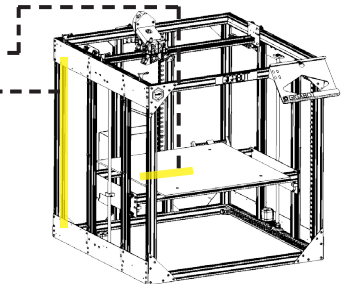
- #2 x 7.25" - Rear header
- #2 x 29.0" - Lower right common rail & front right corner vertical common rail
- #2 x 31.0" - Right electrical box upright



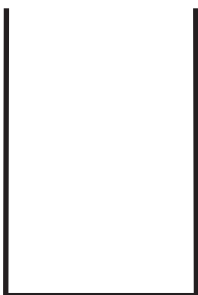
SIZE #3 (1.0" X 1.0") :



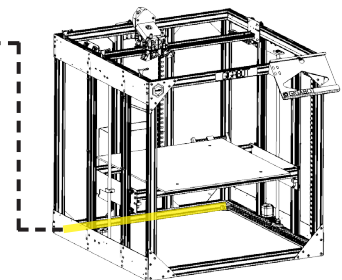
- #3 x 9.25" - Bed frame cross rail
- #3 x 30.0" - Rear left corner vertical common rail



SIZE #4 (1.0" X 1.5") :



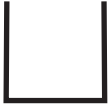
- #4 x 30.0" - Rear footer (angled cut on both ends)



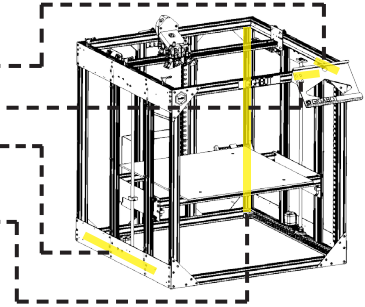
Please use the following table to determine where Panduits belong on your Gigabot®

GIGABOT 3+ XL

SIZE #1 (0.5" X 0.5") :



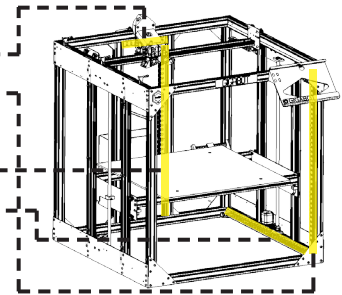
- #1 x 5.25" - Upper Z limit switch
- #1 x 5.25" - LED light strip
- #1 x 27.5" - Lower left Z motor & lower limit switch
- #1 x 30.0" - Rear right corner vertical common rail



SIZE #2 (0.5" X 1.0") :



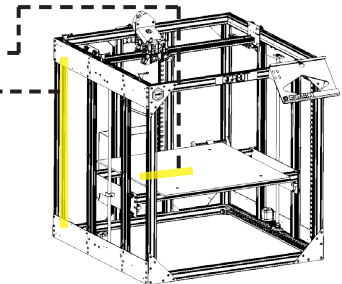
- #2 x 7.25" - Upper rear cross rail
- #2 x 29.0" - Front right corner vertical common rail
- #2 x 31.0" - Right electrical box upright
- #2 x 35.0" - Lower right common rail



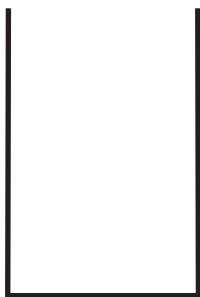
SIZE #3 (1.0" X 1.0") :



- #3 x 9.25" - Bed frame cross rail
- #3 x 30.0" - Rear left corner vertical common rail



SIZE #4 (1.0" X 1.5") :



- #4 x 30.0" - Rear footer (angled cut on both ends)

