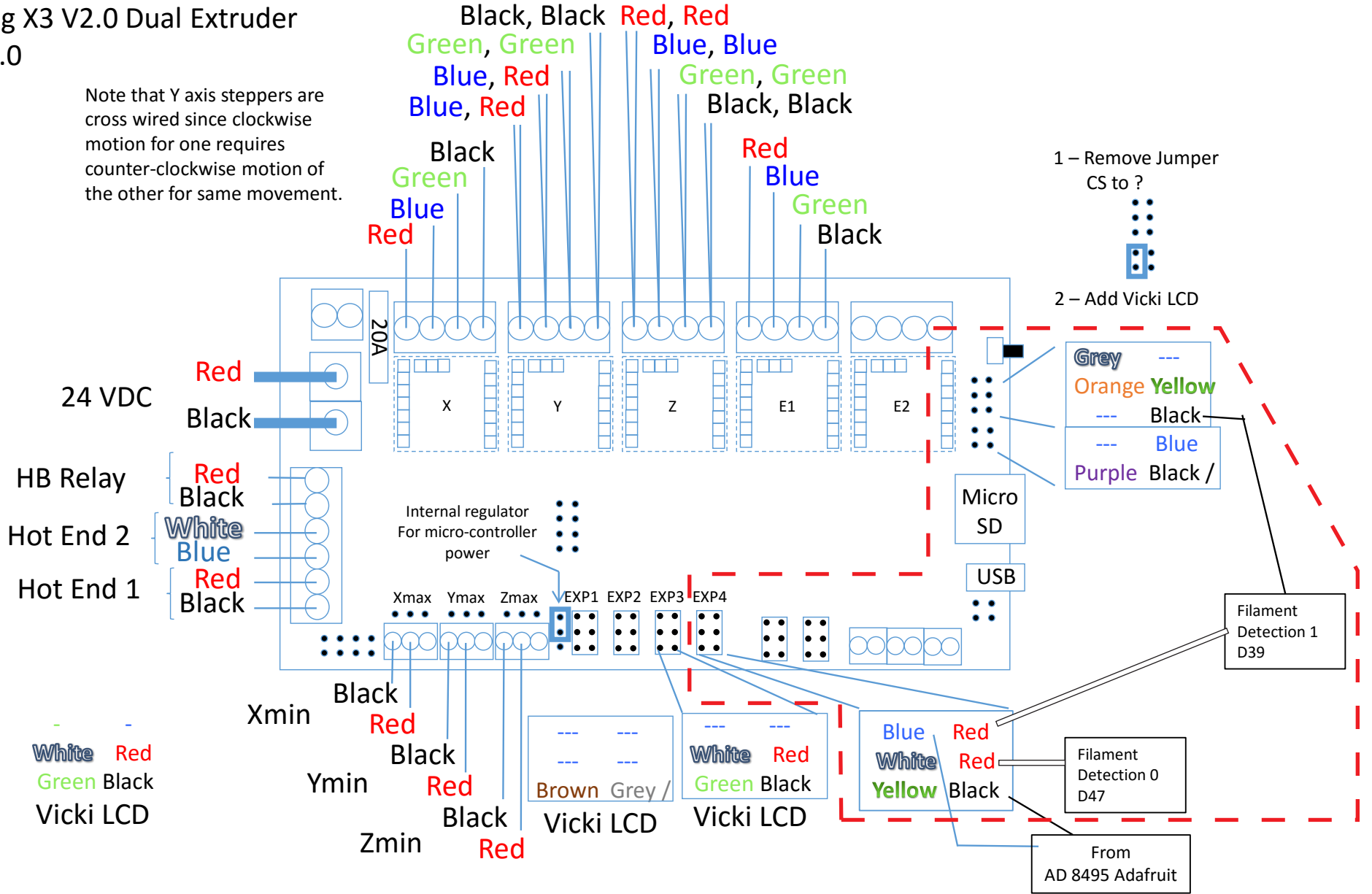


Azteeg X3 V2.0 Dual Extruder Viki 2.0

Note that Y axis steppers are cross wired since clockwise motion for one requires counter-clockwise motion of the other for same movement.



GB3 Axteeg X3 V2.0 Cover Plate

